

EV2216WFS3-GY

Your advantages



Der EIZO EV2216W überzeugt mit einem modernen, hellen und sparsamen LED-Backlight. Der typische Stromverbrauch liegt bei lediglich 12 Watt. Mit seinen EcoView-Funktionen spart der Monitor zusätzlich Energie, indem er die Bildhelligkeit durch Auto-EcoView intelligent an seine Umgebung und per EcoView-Optimizer an den Bildinhalt anpasst. EcoView-Sense schaltet den Monitor ab, wann immer es möglich ist. EcoView steht für höchsten Anwender-Komfort, reduzierte Umweltbelastung und geringere Betriebskosten. DisplayPort-, DVI-D- und DSub-Anschlüsse sowie ein USB-Hub mit einer Up- und zwei seitlich erreichbaren Downstream-Buchsen sorgen für Verbindung. Der EV2216W richtet sich an Unternehmen sowie Behörden und begeistert auch private Anwender, die einen qualitativ hochwertigen Monitor haben wollen.

- ✓ 22" with 16:10 format and LED technology in a compact and space-saving design
- ✓ Contrast 1000:1, brightness 250 cd/sq m
- ✓ Auto-EcoView, EcoView Index, EcoView Sense, and EcoView Optimizer for maximum energy-saving and optimal ergonomics.
- ✓ Built-in speaker and headphone connection
- ✓ USB hub with one upstream and two downstream connections
- ✓ DisplayPort, DVI-D, and DSub inputs for digital and analogue connection

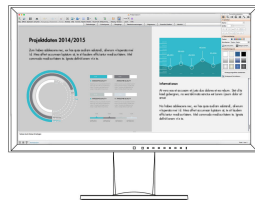
Features

First-class image quality

The monitor boasts a brilliantly sharp resolution of 1680 x 1050 pixels and a high contrast ratio of 1000:1. The TN panels with the latest generation LED backlight deliver a sharp image with a high level of detail and excellent brightness. One special feature is the EIZO UpView function: It ensures that the colours will not appear washed out if you have to look up at the monitor. A phenomenon that arises frequently in conventional TN panel monitors.



Without UpView function



With UpView function

10-bit LUT: precise colour control

An image can only be perfect if the colours are, too. This is why EIZO office monitors have a 10-bit look-up table at a minimum, which allows the colour information to be assigned much more precisely than with conventional 8-bit LUTs. The finest colour gradations ensure that gradients are always perfectly displayed, while also offering customised adjustment options. For example, you can adjust the white balance from 4000 K to 10000 K in 500-K intervals.



Without 10 Bit LUT



With 10 Bit LUT

Save electricity and your eyes with Auto EcoView

Brilliant in all light conditions: The Auto EcoView function adjusts the brightness of the monitor to the changing ambient light fully automatically by using a sensor. In bright light, it increases image brightness; at darker times, it reduces it. The benefits: Annoying glare is reduced, objects on the monitor will be easier to perceive, and your eyes will not get tired as quickly.

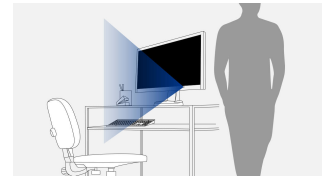
Of course, it is also possible to control the monitor manually. EcoView Index is used for orientation on how environmentally friendly your settings are. In this way, you can control your electricity consumption yourself.

EcoView Sense: Motion sensor as an electricity-saving function

You can use the motion sensor (EcoView Sense) to save electricity and reduce your energy costs. The principle behind this: When you are sitting in front of the screen, the monitor is being used. When you leave your workstation, it automatically switches to energy-saving mode. As soon as you return, it is reactivated – fully automatically thanks to the motion sensor.



Sensor identifies a person at the workstation



Sensor identifies that the workstation has been vacated

Anti-glare coating: more image, less reflection

The EV2216W offers a surface with optimal anti-glare coating. By minimising glare from the spread of the reflected light, the anti-glare coating effectively protects your eyes from straining. This keeps your eyes from getting as tired and allows you to sit comfortably in front of the screen, without having to sit in a forced position to prevent glare.

Flicker-free working

The monitor is flicker-free at every brightness setting. The benefit: Your eyes do not get tired as quickly. You can work on the screen for an extended period.

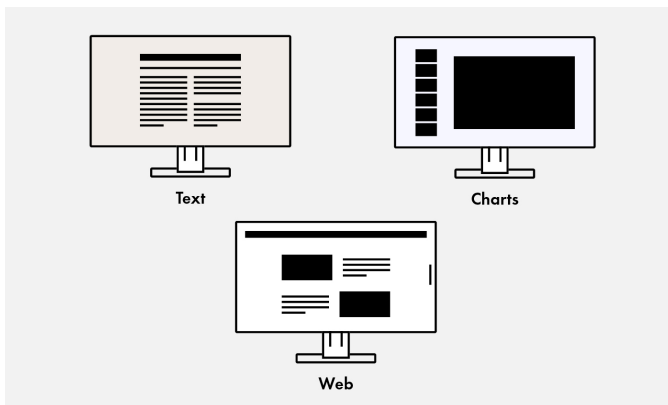
Save up to 30% of energy with the EcoView Optimizer

Save electricity without compromising quality: The EcoView Optimizer reduces the background lighting fully automatically for dark images. This reduces electricity consumption by up to 30%. At the same time, the signal is amplified and the colour tone values adjusted. The result: You will enjoy the image quality you are used to but consume less power.

Features

Preset colour modes: Optimised display at the press of a button

Preset colour modes make it easier for you to work and view images, texts and videos. Because when choosing colour settings, it makes a difference whether you are looking at a film, editing an image, surfing the Internet or writing texts. You can configure the respective default settings for brightness, gamma correction and colour temperature at the press of a button. For example, paper mode simulates the pleasant contrast of books by reducing the blue light portion and brightness. This reduces wear on your eyes when reading documents and prevents tiredness.



Zero-Watt consumption thanks to the power switch

The monitors have an integrated mechanical power switch, which is extremely practical and energy-saving: If you switch off the monitor using the power switch, the device will stop consuming any power at all. Moreover, it consumes a maximum of 0.3 watt in standby mode.

LED backlight: Economical in consumption, free from mercury

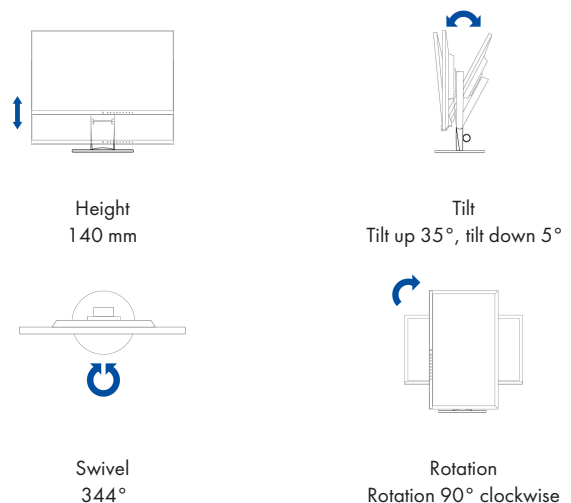
The monitors with an LED backlight help save the environment throughout their entire service life – from manufacturing through operation to disposal. For on the one hand they are characterized by particularly low electricity consumption. The typical consumption is just 12 Watt. On the other hand, they are free from mercury – a substance that is harmful to both humans and the environment and is very difficult to dispose of.

One monitor, many ports

It doesn't get easier than this: You can connect most of your devices, such as PC, laptop or cameras directly to the monitor because the monitor has a number of different ports. That makes your daily work easier.

Flexible base

Ergonomic and stable: the adjustable stand focuses on ergonomics. You can rotate, swivel and tilt the monitor stand until you find the most comfortable setting for your back, neck and sitting posture. It features continuous height adjustment and can be lowered almost to the base plate of the stand, enabling you to position the top image line ergonomically right below your eye level.



Features

Five-year warranty

EIZO grants a five-year warranty. This is possible thanks to the highly developed production process based on a simple principle of success: sophisticated and innovative monitor technology, made from high-end materials.



Specification

General

Item no.	EV2216WFS3-GY
Case colors	Light grey
Areas of application	Office
Product line	FlexScan
EAN	4995047043959
Variants	EV2216WFS3-BK (Colour: Black)

Display

Screen size [in inches]	22
Screen size [in cm]	55.8
Format	16:10
Viewable image size (width x height)	474 x 296
Ideal and recommended resolution	1680 x 1050
Pixel pitch [mm]	0.28 x 0.28
Resolution supported	1680 x 1050, 1280 x 1024, 1024 x 768, 800 x 600, 720 x 400, 640 x 480
Panel technology	TN
Max. viewing angle horizontal	170 °
Max. viewing angle vertical	160 °
Number of colours or greyscale	16.7 million colours (display port, 8 Bit), 16.7 million colours (DVI, 8 Bit), 16.7 million colours (Dsub, 8 Bit)
Colour palette/look-up table	1.06 billion colour tones / 10 Bit
Max. colour space (typical)	sRGB
Max. brightness (typical) [in cd/m ²]	250
Max. dark room contrast (typical)	1000:1
Max. refresh rate [in hertz]	60
Backlight	LED

Features & control

Preset colour/greyscale modes	sRGB, Paper, Movie, 2x free modes for user selection
EcoView Sense	✓
Auto EcoView	✓
EcoView Index	✓
EcoView Optimizer	✓
No flickering thanks to hybrid controls	✓
HDCP Decoder	✓
Input signal identification	✓
Built-in speakers	✓
OSD language	de, en, fr, es, it, se, ja, zh
Adjustment options	Brightness, Contrast, Gamma, All EcoView functions, Colour saturation, Colour temperature, Colour Mode, Colour tone, Signal input, Overdrive, Resolution, Audio source, Smoothing, OSD language, Interpolation, Volume
Integrated power unit	✓

Ports

Signal inputs	DisplayPort (HDCP 1.3), DVI-D (HDCP 1.4), Dsub
USB specification	USB 2.0
USB hub	1 Up-/ 2 Down-Stream, Rev. 2.0
USB upstream ports	1 x type B
USB downstream ports	2 x type A
Video signal	DisplayPort, DVI (TMDS), RGB Analog
Sync formats	Separate
Audio input	3.5 mm stereo jack, DisplayPort
Audio output	3.5 mm stereo jack

Certification & standards

Certification	CE, CB, TCO certified 8.0, EPA Energy Star, TÜV/GS, TÜV/Ergonomics (including ISO 9241-307), TÜV/Blue Low Light Content, TÜV/Flicker Free, EPEAT 2018 (US), cTÜVus, EAC, FCC-B, CAN ICES-3 (B), RCM, CCC, RoHS, China RoHS, WEEE
---------------	--

Electric data

Frequency	Dsub: 31-68 kHz/55-61 Hz; Display Port: 31-67,5 kHz/59-61 Hz; DVI-D: 31-68 kHz/59-61 Hz
Power consumption (typical) [in watt]	12
Maximum Power Consumption [in watt]	39 (bei maximaler Helligkeit und Betrieb aller Signal- und USB-Anschlüsse)
Power Save Mode [in watt]	0.3
Power consumption off [in watt]	0
Power supply	AC 100-120 V / 200-240 V, 50/60 Hz

Dimensions & weights

Dimensions [mm]	500 x 368-479 x 233
Weight [in kilograms]	5.6
Dimensions without stand [mm]	500 x 327 x 54
Weight without stand [in kilograms]	3.3
Swivel	344 °
Incline forward/backward	5 ° / 35 °
Pivot	✓ 90 °
Height adjustment range [mm]	140
Hole spacing	VESA standard 100 x 100 mm

Software & accessories

Accompanying software and other accessories are available for download	ScreenManager PRO, ScreenSlicer
Additional supply	Power cord, Signal cable DVI-D - DVI-D, Signal cable DisplayPort - DisplayPort, Quick guide, EIZO LCD Utility Disk (incl. PDF manual)
Accessories	EIZO ScreenCleaner (for the best possible clean without scratching the monitor), TC-BRACKET-BK (Thin Client bracket for EIZO Flexstand 3 base), PM200-K (DisplayPort cable to transfer digital video and audio signals.)

Warranty

Warranty and service	5 years warranty*
----------------------	-------------------

Terms

*) Maximum of 30,000 hours of operation from the date of purchase.